



We make it visible.



## David Raven

**Product Specialist, Microsurgery Qld**

**Mob 0434 416 011**

**Email: [david.raven@zeiss.com](mailto:david.raven@zeiss.com)**

## Cathy O'Connor

**Regional Sales Manager, Qld / NZ**

**Mob. 0413 759 813**

**Email: [cathy.oconnor@zeiss.com](mailto:cathy.oconnor@zeiss.com)**



**Carl Zeiss**  
(1816–1888)  
Precision mechanic  
Founder of the company  
Carl Zeiss

**1846** Carl Zeiss founded a workshop for precision mechanics and optics in Jena

**1847** Production of simple microscopes

**1860/63** Appointed university and court mechanic

**1875** Made his scientific employee Ernst Abbe part owner

**1880** Awarded Dr. phil. honoris causa by the University of Jena



**Ernst Abbe**  
(1840-1905)  
Physicist, scientist, entrepreneur,  
social reformer, founder of the  
Carl Zeiss Stiftung (Carl Zeiss  
Foundation)

**1863** Private lecturer at the University of Jena

**1866** Began working with Carl Zeiss. Laid the foundation of modern optics with Carl Zeiss and later with Otto Schott.

**1870 - 1896** Professor of physics at the University of Jena. He and his students shaped modern precision mechanics and optics

**1889** Founded the Carl Zeiss Foundation

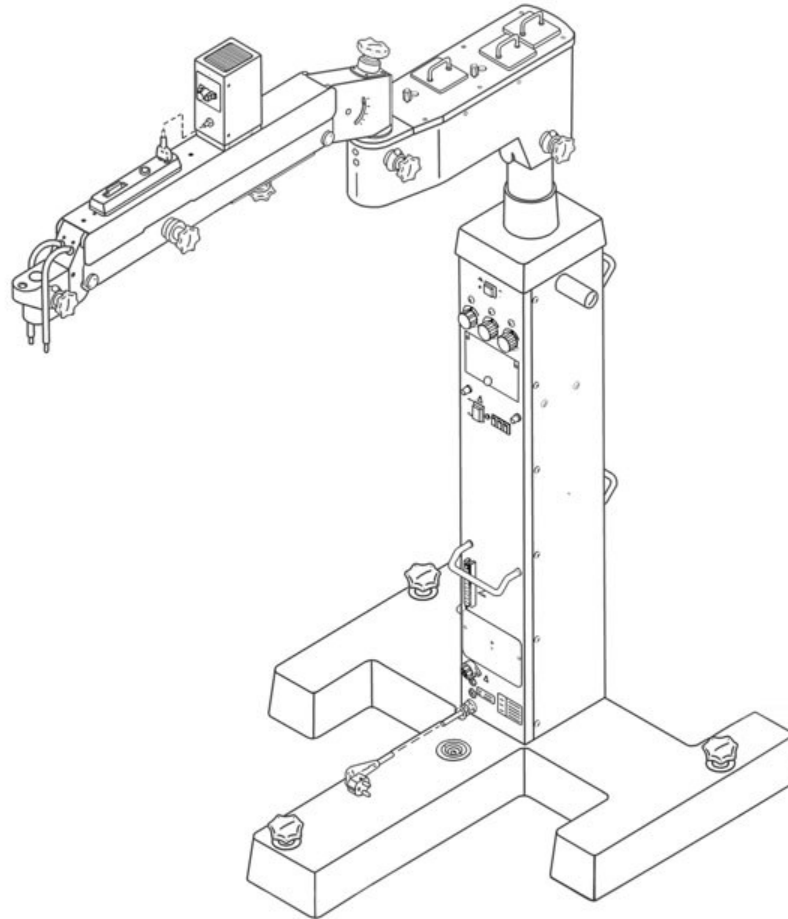
# Carl Zeiss Corporate Headquarters & Surgical Microscope Division Oberkochen



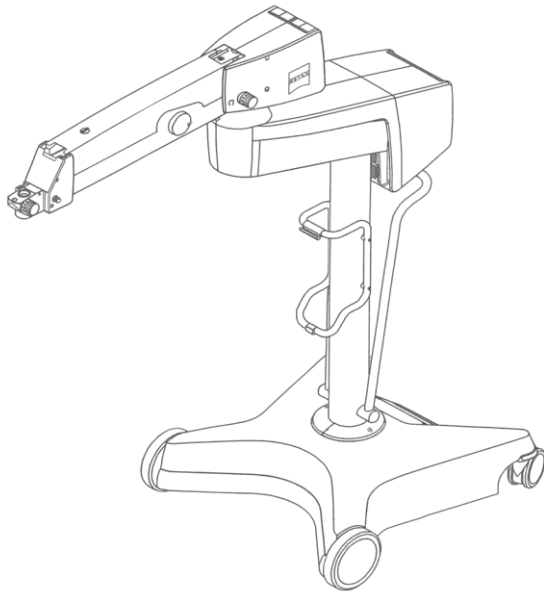
# ZEISS OPMI 1

## The First Surgical Microscope 1953





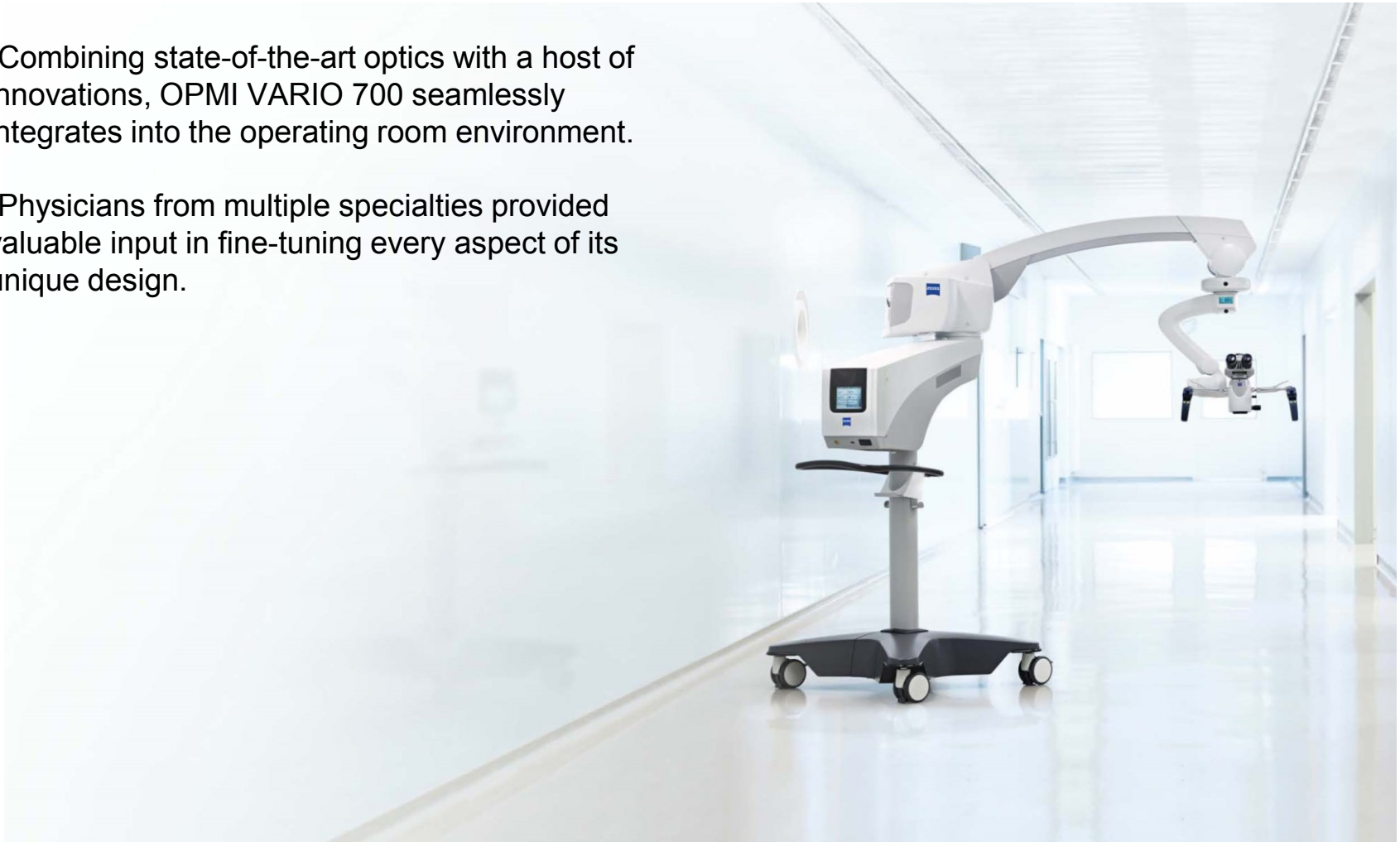
- For all plastic & reconstructive operations in different disciplines
- Particularly capable for hand surgery



# OPMI VARIO 700



- Combining state-of-the-art optics with a host of innovations, OPMI VARIO 700 seamlessly integrates into the operating room environment.
- Physicians from multiple specialties provided valuable input in fine-tuning every aspect of its unique design.







## // **INSIGHTS**

Visualize the details

## // **ERGONOMICS**

Perform at ease

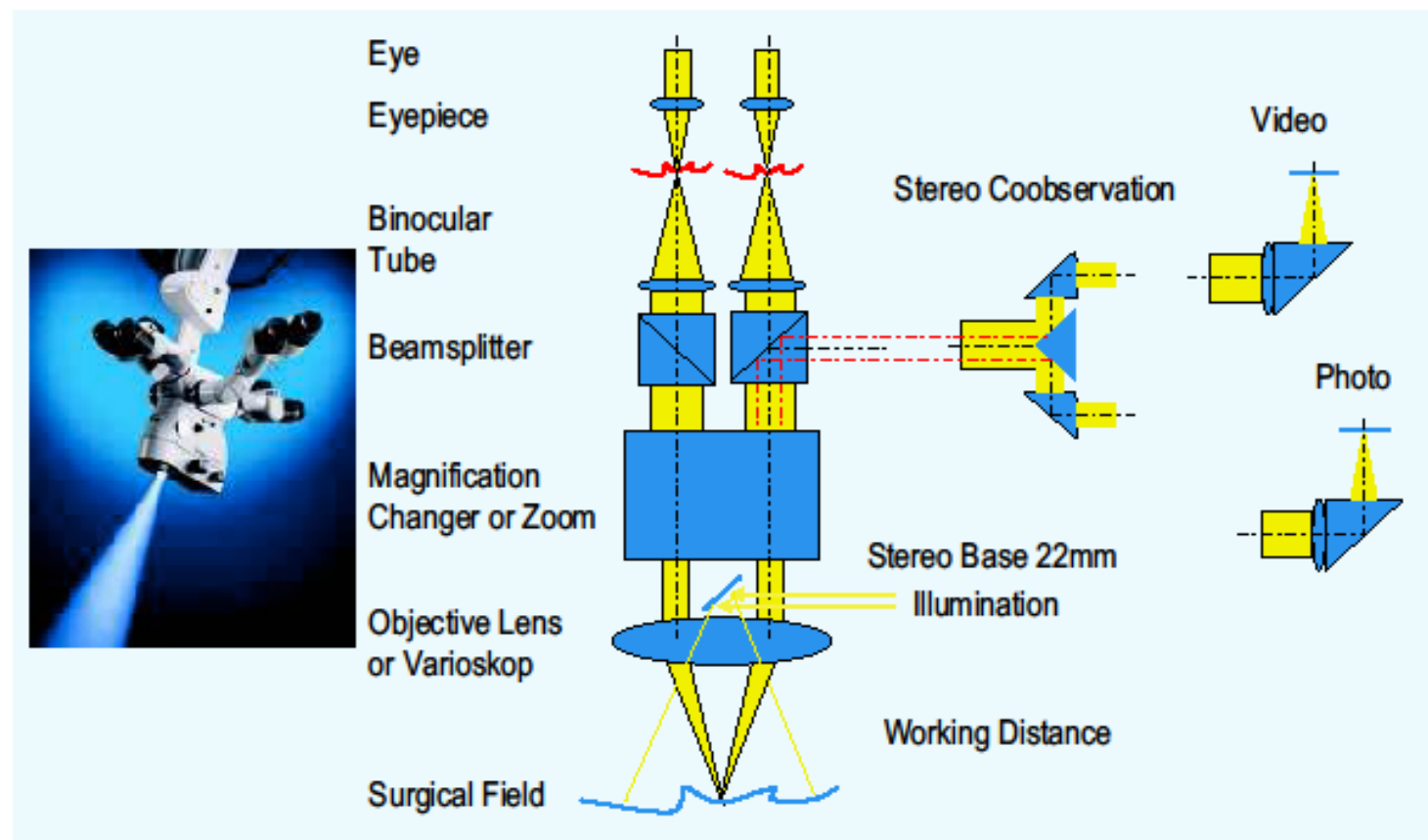
## // **EFFICIENCY**

Maximize OR efficiency

# Design layout of a surgical microscope



CARL ZEISS MEDITEC



# Microscope Checklist

---

## 1. Binocular is Right for You.

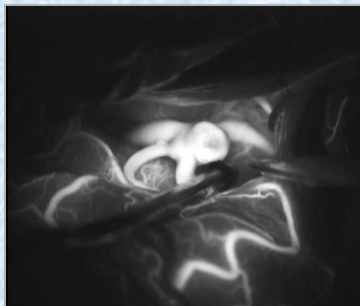
- **PD is correct width**
- **Eyecup is correct distance**
- **Diopter is correct**

## 2. Balance and Tension is correct.

- **Microscope does not drift up, down or side to side.**
- **Too heavy, Add weight (+)**
- **Too light , Take weight way (-)**

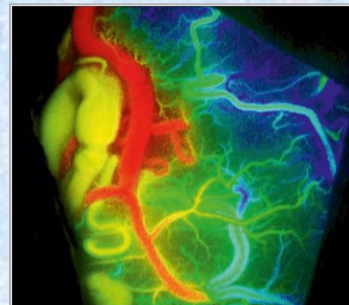
## 3. Illumination starts low.

# Future Possibilities Advancing Fluorescence



## INFRARED 800<sup>1</sup>

Intraoperative visual assessment of blood flow and vessel patency during AVM, bypass and aneurysm surgery.



## FLOW 800<sup>1</sup>

Unique fluorescence application enabling visual analysis of vascular blood flow dynamics.



## YELLOW 560

Visualizes fluorescent dyes in the wavelength range from 540 to 690 nm for new fields of applications.

<sup>1</sup>) INFRARED 800 and FLOW 800 have FDA 510 (K) clearance

## David Raven

**Product Specialist, Microsurgery Qld**

**Mob 0434 416 011**

**Email: [david.raven@zeiss.com](mailto:david.raven@zeiss.com)**

## Cathy O'Connor

**Regional Sales Manager, Qld / NZ**

**Mob. 0413 759 813**

**Email: [cathy.oconnor@zeiss.com](mailto:cathy.oconnor@zeiss.com)**



We make it visible.